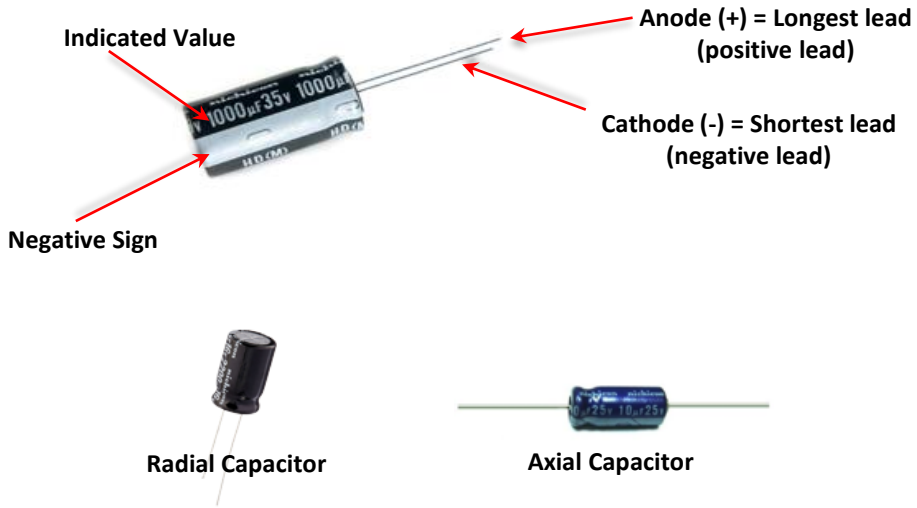


Kortek/Imperial KT-1420A Capacitor Kit



- Temperature, age, and humidity can and will change the original values of capacitors. This is why capacitor kits (or cap kits) are necessary.
- Always install capacitors using the correct polarity (positive to positive, negative to negative). Installing a capacitor in the wrong direction can result in damage to the electronic components, and in some cases cause fire or injury.
- Some capacitors are Bi-polar (BP) or Non-Polarized (NP). These capacitors have no positive or negative leads. It doesn't matter which direction these capacitors are installed.
- Always remove any old solder before installing new capacitors.
- For best results, use high-quality capacitors like Nichicon.

Capacitor count

Quantity	Capacitance	Voltage	Type
4	1 uF	50V	Electrolytic
3	10 uF	50V	Electrolytic
2	10 uF	160V	Electrolytic
1	10 uF	350V	Electrolytic
3	100 uF	160V	Electrolytic
1	100 uF	16V	Electrolytic
1	220 uF	16V	Electrolytic
1	3.3 uF	100V	Electrolytic
1	33 uF	16V	Electrolytic
1	33 uF	50V	Electrolytic
1	47 uF	50V	Electrolytic
2	470 uF	25V	Electrolytic
1	470 uF	16V	Electrolytic
1	680 uF	200V	Electrolytic
23	Total		

Note: It is possible that certain capacitors may not be available for all the exact voltages listed above. It is perfectly acceptable to use a higher voltage capacitor with the same capacitance as a replacement. However, **NEVER** use a lower voltage capacitor as a replacement!

Capacitors by board

KT-1420A Main PCB			
#	Capacitance	Voltage	Type
C151	10 uF	50V	Electrolytic
C207	1 uF	50V	Electrolytic
C208	10 uF	50V	Electrolytic
C209	220 uF	16V	Electrolytic
C210	10 uF	160V	Electrolytic
C212	10 uF	160V	Electrolytic
C213	100 uF	160V	Electrolytic
C303	1 uF	50V	Electrolytic
C401	1 uF	50V	Electrolytic
C402	1 uF	50V	Electrolytic
C407	33 uF	16V	Electrolytic
C409	10 uF	50V	Electrolytic
C502	10 uF	350V	Electrolytic
C503	33 uF	50V	Electrolytic
C504	3.3 uF	100V	Electrolytic
C505	470 uF	25V	Electrolytic
C507	470 uF	16V	Electrolytic
C509	470 uF	25V	Electrolytic
C601	680 uF	200V	Electrolytic
C606	100 uF	16V	Electrolytic
C609	100 uF	160V	Electrolytic
C610	100 uF	160V	Electrolytic
C611	47 uF	50V	Electrolytic

Note: On page 16 of the Kortek/Imperial KT-1420A Instruction Manual, there is an error in the parts list. The manual lists C601 as a Ceramic 0.01uF 250V capacitor and C605 as an Electrolytic 680uF 200V capacitor. In fact, C601 is an Electrolytic 680uF 200V capacitor. It is the largest capacitor on the board.

KT-1420A Cap Kit Notes

Main PCB Component Side

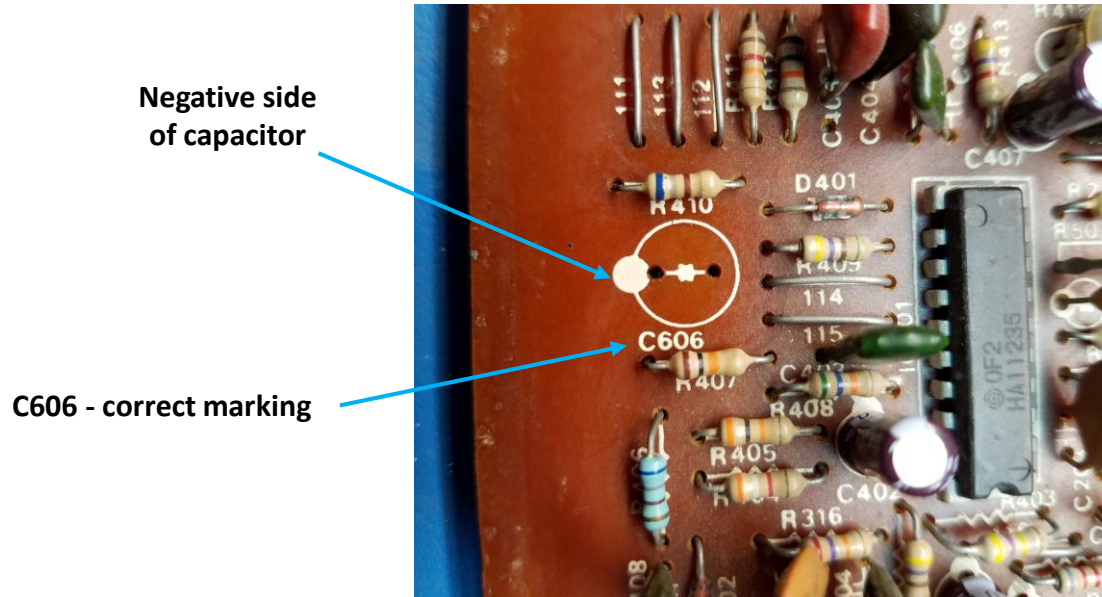


Figure 1

Main PCB Solder Side

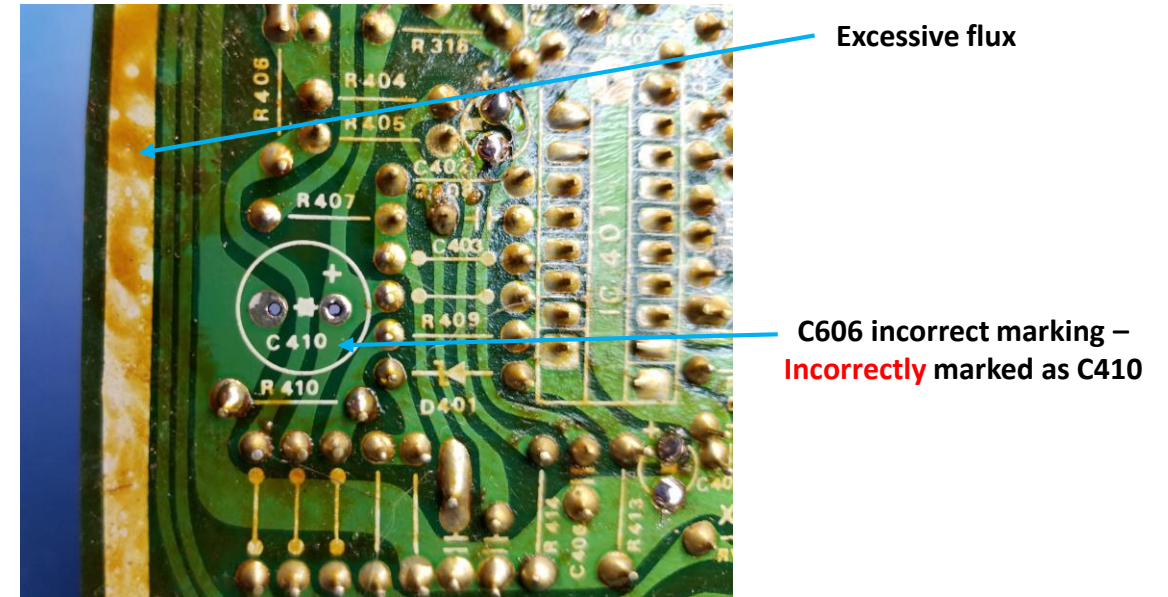


Figure 2

1. The component side of the main PCB is marked with a white dot on the negative side of each capacitor, as shown in Figure 1.
2. It is not uncommon to see large amounts of flux (looks like light brown gravy) on the solder side of the PCB. This is a result of the manufacturing process. This can be cleaned off easily with 99% Isopropyl alcohol.
3. There is an error in the marking of the solder side of C606, as shown in Figure 2. Locate the C606 capacitor on the component side of the PCB. Then flip the PCB over and you will notice the same capacitor is incorrectly marked as C410 on the solder side. C606 is correct.

KT-1420A

Main PCB

Capacitor Map

